



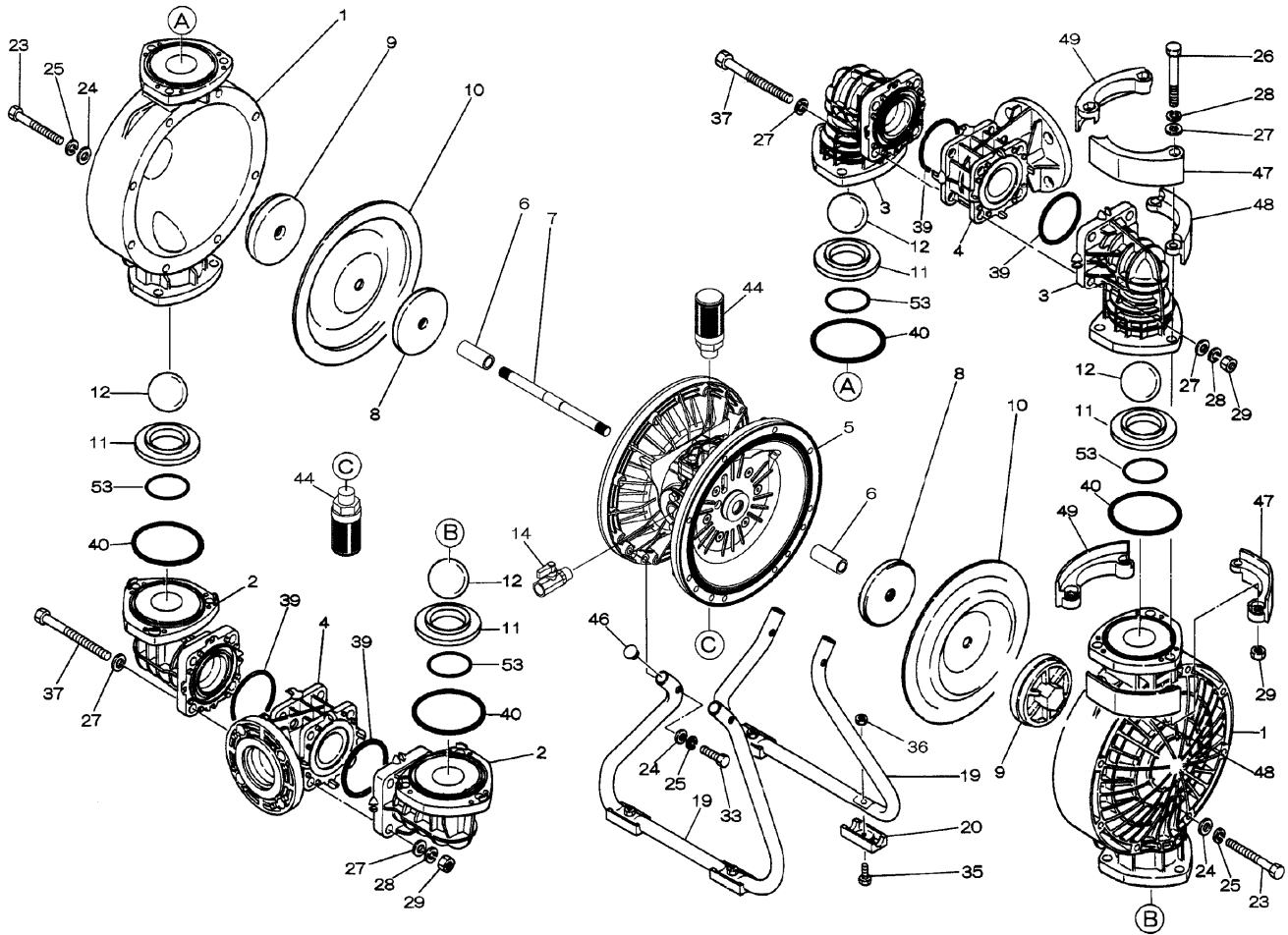
To Purchase:

- 800-990-7867
- sales@yamadapump.com
- Find My Rep

More Information:

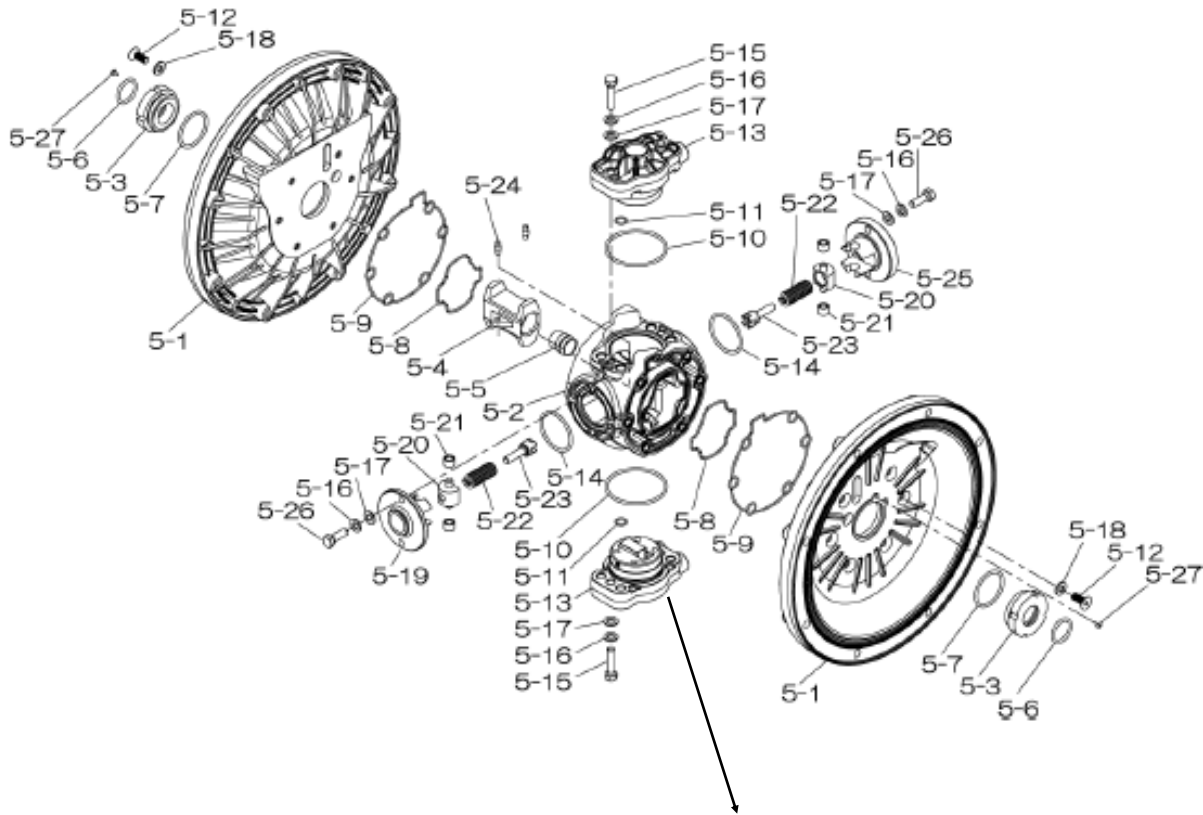
- YouTube: @yamadapump
- yamadapump.com
- Data Sheets | CAD Drawings | Manuals Literature | BOM | Performance Curves*

Trial Program

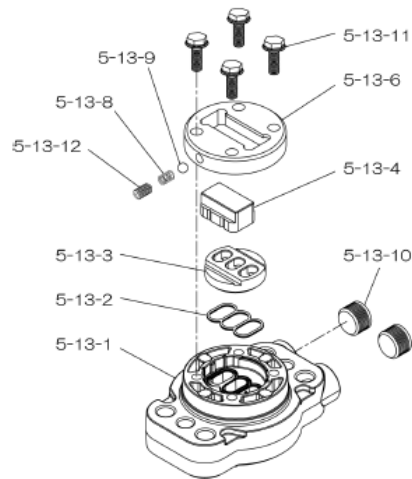


Air Operated Double Diaphragm Pump

804778 Center Body Assembly



804784 Valve Body Assembly



Air Operated Double Diaphragm Pump

	DP-50BVE-HD	DP-50BVV-HD	DP-50BVH-HD	DP-50BVS-HD			
XDP	854473	854474	854476	854477			
REF. NO.	PART NO.	PART NO.	PART NO.	PART NO.	DESCRIPTION	QTY.	REORDER
1	780153	780153	780153	780153	OUT CHAMBER	2	
2	780252	780252	780252	780252	IN MANIFOLD	2	
3	780154	780154	780154	780154	OUT MANIFOLD	2	
4	780115	780115	780115	780115	CENTER MANIFOLD	2	
5	804778	804778	804778	804778	CENTER BODY ASSY	1	
5-1	716247	716247	716247	716247	AIR CHAMBER	2	
5-2	716256	716256	716256	716256	BODY	1	
5-3	773048	773048	773048	773048	THROAT BEARING	2	
5-4	716214	716214	716214	716214	SHUTTLE	1	
5-5	773047	773047	773047	773047	CENTER ROD GUIDE	1	
5-6	640023	640023	640023	640023	O-RING	2	
5-7	640133	640133	640133	640133	O-RING	2	
5-8	773040	773040	773040	773040	GASKET	2	
5-9	773041	773041	773041	773041	GASKET	2	
5-10	640138	640138	640138	640138	O-RING	2	
5-11	640007	640007	640007	640007	O-RING	8	
5-12	683812	683812	683812	683812	FLAT SOCKET	12	
5-13	804784	804784	804784	804784	VALVE BODY ASSY	2	
5-13-1	715244	715244	715244	715244	VALVE BODY	1	
5-13-2	773042	773042	773042	773042	GASKET	2	
5-13-3	716246	716246	716246	716246	SEAT	1	
5-13-4	773425	773425	773425	773425	BLOCK	1	
5-13-6	773426	773426	773426	773426	GUIDE PLATE	1	
5-13-8	706612	706612	706612	706612	SPRING	1	
5-13-9	686271	686271	686271	686271	BALL	1	
5-13-10	772934	772934	772934	772934	PLUG	2	
5-13-11	602300	602300	602300	602300	TAPPING BOLT	4	
5-13-12	610025	610025	610025	610025	HEX. SOCKET HEAD SCREW	1	
5-14	640134	640134	640134	640134	O-RING	2	
5-15	611153	611153	611153	611153	BOLT	4	
5-16	631420	631420	631420	631420	SPRING WASHER	8	
5-17	631013	631013	631013	631013	FLAT WASHER	8	
5-18	684987	684987	684987	684987	WASHER	12	
5-19	716249	716249	716249	716249	RETAINER	1	
5-20	713620	713620	713620	713620	SPRING GUIDE	2	
5-21	773067	773067	773067	773067	BUSH	4	
5-22	684537	684537	684537	684537	SPRING	2	
5-23	714446	714446	714446	714446	TRIP ARM	2	
5-24	770231	770231	770231	770231	PIN	2	
5-25	716216	716216	716216	716216	RETAINER	1	
5-26	611149	611149	611149	611149	BOLT	4	
5-27	686337	686337	686337	686337	TAPPING SCREW	2	
6	716219	716219	716219	716219	CENTER BUSH	2	
7	716218	716218	716218	716218	CENTER ROD	1	
8	711904	711904	711904	711904	CENTER DISK	2	
9	771901	771901	771901	771901	CENTER DISK	2	
10	771856	771800	771703	771976	DIAPHRAGM	2	
11	772100	772100	772100	772100	VALVE SEAT	4	
12	770633	770636	773143	772100	BALL	4	
14	686974	686974	686974	686974	BALL VALVE	1	
19	711926	711926	711926	711926	STAND	2	
20	771865	771865	771865	771865	FOOT RUBBER	4	

Air Operated Double Diaphragm Pump

	DP-50BVE-HD	DP-50BVV-HD	DP-50BVH-HD	DP-50BVS-HD			
XDP	854473	854474	854476	854477			
REF. NO.	PART NO.	PART NO.	PART NO.	PART NO.	DESCRIPTION	QTY.	REORDER
23	686156	686156	686156	686156	BOLT	16	
24	631330	631330	631330	631330	FLAT WASHER	24	
25	680257	680257	680257	680257	SPRING WASHER	24	
26	621213	621213	621213	621213	BOLT	12	
27	631331	631331	631331	631331	WASHER	32	
28	680607	680607	680607	680607	SPRING WASHER	20	
29	628014	628014	628014	628014	NUT	20	
33	621179	621179	621179	621179	BOLT	8	
35	621149	621149	621149	621149	BOLT	4	
36	683837	683837	683837	683837	NUT W/ FLANGE	4	
37	684592	684592	684592	684592	BOLT	8	
39	684121	684121	684121	684121	O-RING	4	
40	684122	642069	772063	772063	O-RING	4	
44	804697	804697	804697	804697	MUFFLER	2	
46	683641	683641	683641	683641	CAP	4	
47	771786	771786	771786	771786	PROTECTOR A	8	
48	771787	771787	771787	771787	PROTECTOR B	8	
49	771788	771788	771788	771788	PROTECTOR C	8	
53	685448	642139	643139	643139	O-RING	4	
KIT	K50-VE	K50-VV	K50-VH	K50-VS	LIQUID SIDE KIT		
KIT	K45-AM-DP-HD				AIR MOTOR KIT		

General Tools:

- Socket wrench - 13mm, 17mm
- Hexagonal box wrench - 5mm, 6mm
- Phillips head screw driver

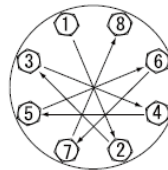
Special Tools:

- PP Wrench (771868) for removing the center disk
- Socket (804129) for a guide to remove the throat bearing (sold separately)

Miscellaneous:

- Assembly Oil - Turbine oil class 1 (equivalent to ISO VG32 grade)
- Nuts - M16 x 1.5
- Thread locker
- Urea grease grade (NLGI) No. 2, Shell Alvania Grease S1

Torque Requirements:



Tightening torque for center rod and out chambers.

- Center Rod 36 ft-lbf {50 N-m}
- Out Chambers 26 ft-lbf {35 N-m}

Tightening torque for manifold retainer bolts.

- BVE/V/H/S-HD 18 ft-lbf {25 N-m}

Customer Notes

Model #: _____
 Description: _____
 Serial #: _____
 Date Installed: _____
 Department Location: _____
 Tag/Project: _____